

Grazer LED Cube

Installation instructions

Instructions de montage
Montageanleitung
Montage Instruktie
Istruzioni di montaggio

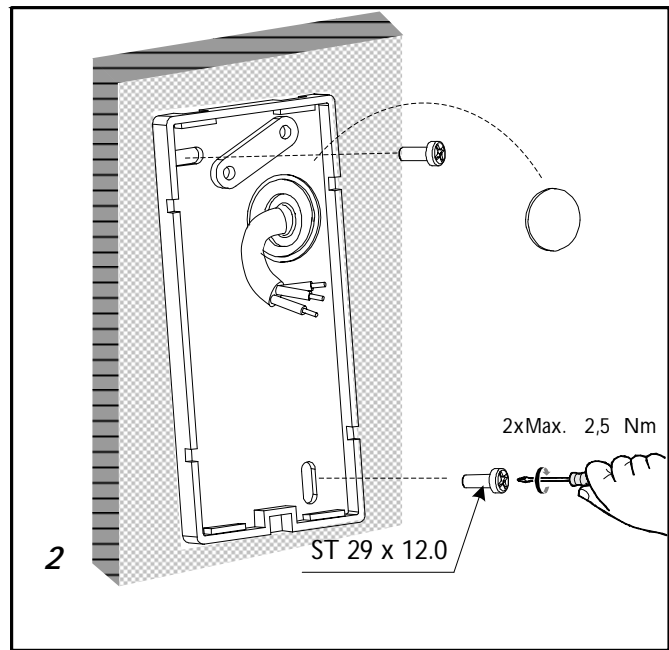
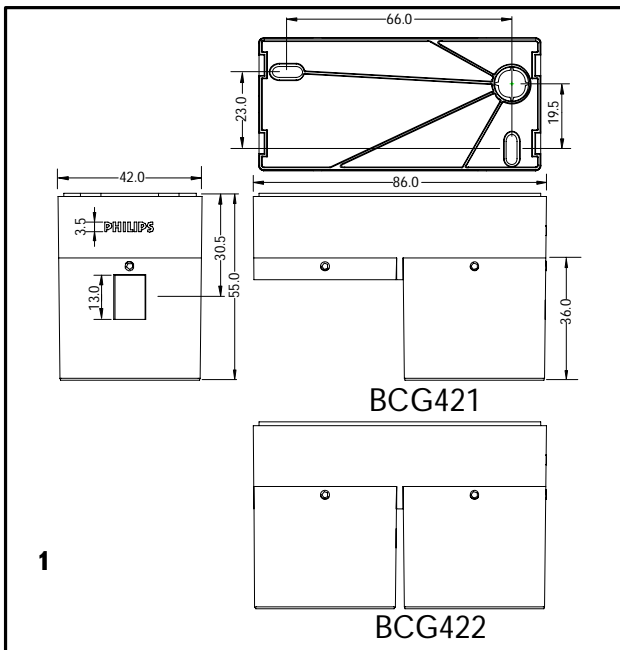
Instrucciones de montaje
Instruções de montagem
Monteringsinstruktioner
Monteringsvejledning

Kokoonpano- ja kiinnitysohjeet
Montaj yönergesi
Οδηγίες συναρμολόγησης
Instrukcja montażu

Szerelési utasítások
Návod k montáži
ИНСТРУКЦИЯ ПО МОНТАЖУ
Návod k montáži

			IP20		100V 240V	850°C	IEC 60598	Mono
--	--	--	-------------	--	----------------------	--------------	----------------------	-------------

	LED's	Voltage	Class	Frequency	Current(mA)	P.Max(W)	
BCG421 LED-LXN/BL PSU 100-240V CLII	1	100-240 V AC	I	50-60Hz	17~25	1.7	0.5
BCG421 LED-LXN/AM PSU 100-240V CLII	1	100-240 V AC	I	50-60Hz	17~25	1.7	0.5
BCG421 LED-LXN/CW PSU 100-240V CLII	1	100-240 V AC	I	50-60Hz	17~25	1.7	0.5
BCG421 LED-LXN/RD PSU 100-240V CLII	1	100-240 V AC	I	50-60Hz	17~25	1.7	0.5
BCG421 LED-LXN/GN PSU 100-240V CLII	1	100-240 V AC	I	50-60Hz	17~25	1.7	0.5
BCG422 LED-2xLXN/BL PSU 100-240V CLII	2	100-240 V AC	I	50-60Hz	22~35	2.4	0.6
BCG422 LED-2xLXN/AM PSU 100-240V CLII	2	100-240 V AC	I	50-60Hz	22~35	2.4	0.6
BCG422 LED-2xLXN/CW PSU 100-240V CLII	2	100-240 V AC	I	50-60Hz	22~35	2.4	0.6
BCG422 LED-2xLXN/RD PSU 100-240V CLII	2	100-240 V AC	I	50-60Hz	22~35	2.4	0.6
BCG422 LED-2xLXN/GN PSU 100-240V CLII	2	100-240 V AC	I	50-60Hz	22~35	2.4	0.6



PHILIPS

